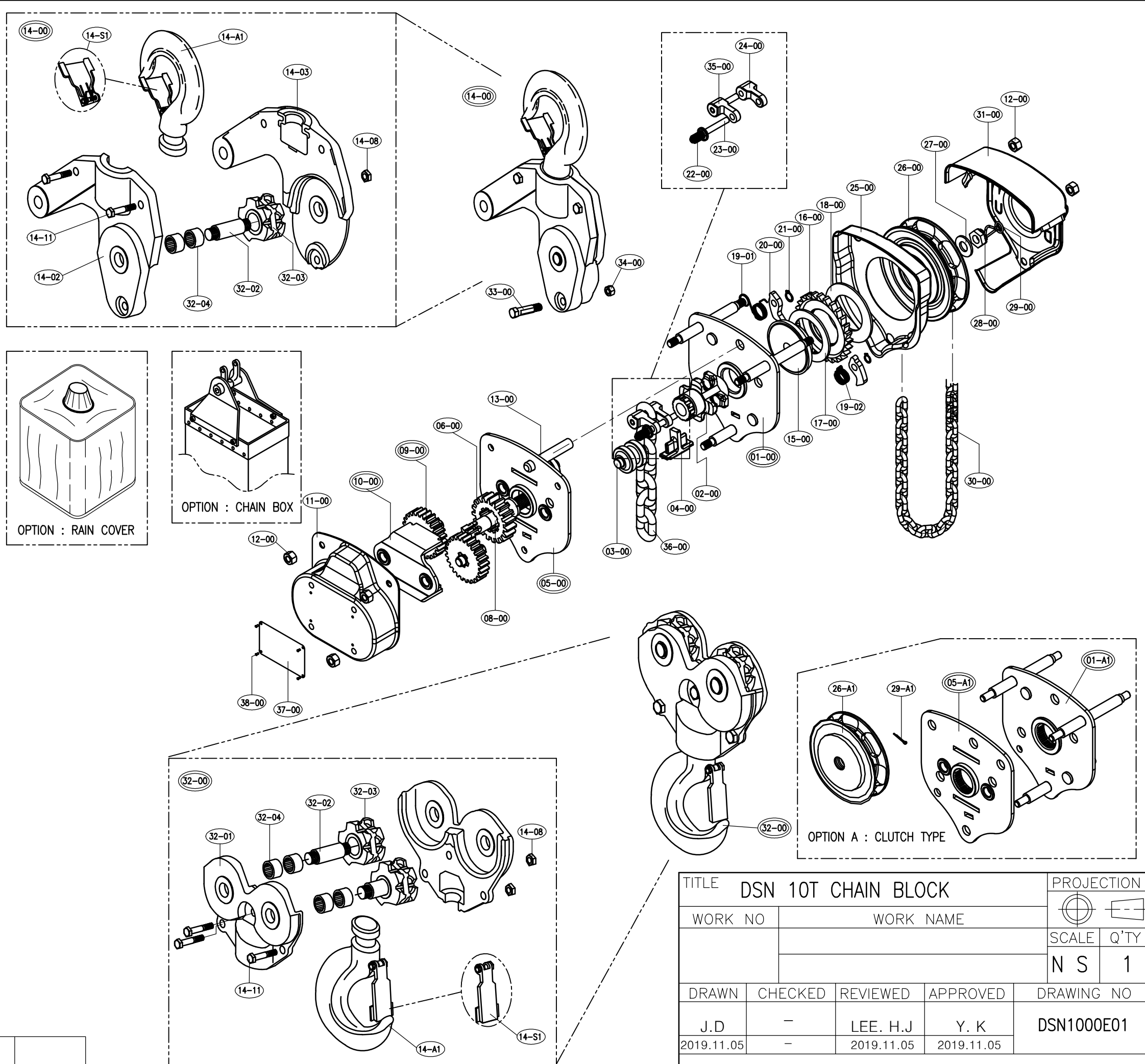


NO	DESCRIPTION	Q'TY	REMARKS
01-00	SIDE PLATE 1 ASS'Y	1	
02-00	LOAD SHEAVE	1	
03-00	GUIDE	2	
04-00	STRIPPER	1	
05-00	SIDE PLATE 2 ASS'Y	1	
06-00	1ST GEAR	1	
08-00	PINION SHAFT	1	
09-00	2ND GEAR & 3RD GEAR ASS'Y	2	
10-00	SUPPORT PLATE ASS'Y	1	
11-00	GEAR COVER	1	
12-00	U-NUT	6	M10
13-00	TOP HOOK PIN	1	
14-00	TOP HOOK ASS'Y	1	
14-A1	HOOK ASS'Y	2	
14-S1	SAFETY LATCH SET	2	
14-02	TOP FRAME A	1	
14-03	TOP FRAME B	1	
14-08	U-NUT	5	M12
14-11	HEX BOLT A	5	M12x45
15-00	HUB	1	
16-00	RATCHET GEAR	1	
17-00	DISC-A	1	Ø85XØ61.5X2.5
18-00	DISC-B	1	Ø96XØ61.5X2.5
19-01	PAWL SPRING A	1	
19-02	PAWL SPRING B	1	
20-00	PAWL	2	
21-00	SNAP RING	2	S-14
22-00	END SPRING	1	
23-00	END PIN	1	
24-00	ANCHOR-A	1	
25-00	BRAKE COVER	1	
26-00	HAND WHEEL	1	
27-00	WHEEL WASHER	1	
28-00	PINION NUT	1	
29-00	R-PIN	1	
30-00	HAND CHAIN	1	Ø5X22.8
31-00	WHEEL COVER ASS'Y	1	
32-00	BOTTOM HOOK ASS'Y	1	
32-01	BOTTOM FRAME	2	
32-02	AXLE	3	
32-03	SHEAVE	3	
32-04	NEEDLE BEARING	6	HK3020
33-00	HOOK BOLT	1	
34-00	U-NUT	1	M8
35-00	ANCHOR-B ASS'Y	1	
36-00	LOAD CHAIN	1	Ø9.0X27.0
37-00	NAME PLATE	1	
38-00	RIVET	4	
01-A1	SIDE PLATE 1 ASS'Y	1	OPTION
05-A1	SIDE PLATE 2 ASS'Y	1	OPTION
26-A1	CLUTCH ASS'Y	1	OPTION
29-A1	COTTER PIN	1	OPTION



REV.NO	DATE	REVISION DESCRIPTION	DRAWN	CHECKED	APPROVED

TITLE DSN 10T CHAIN BLOCK				PROJECTION	
WORK NO		WORK NAME			
				SCALE	Q'TY
				N S	1
DRAWN	CHECKED	REVIEWED	APPROVED	DRAWING NO	
J.D	-	LEE. H.J	Y. K	DSN1000E01	
2019.11.05	-	2019.11.05	2019.11.05		

**DAESAN INoTEC INC**