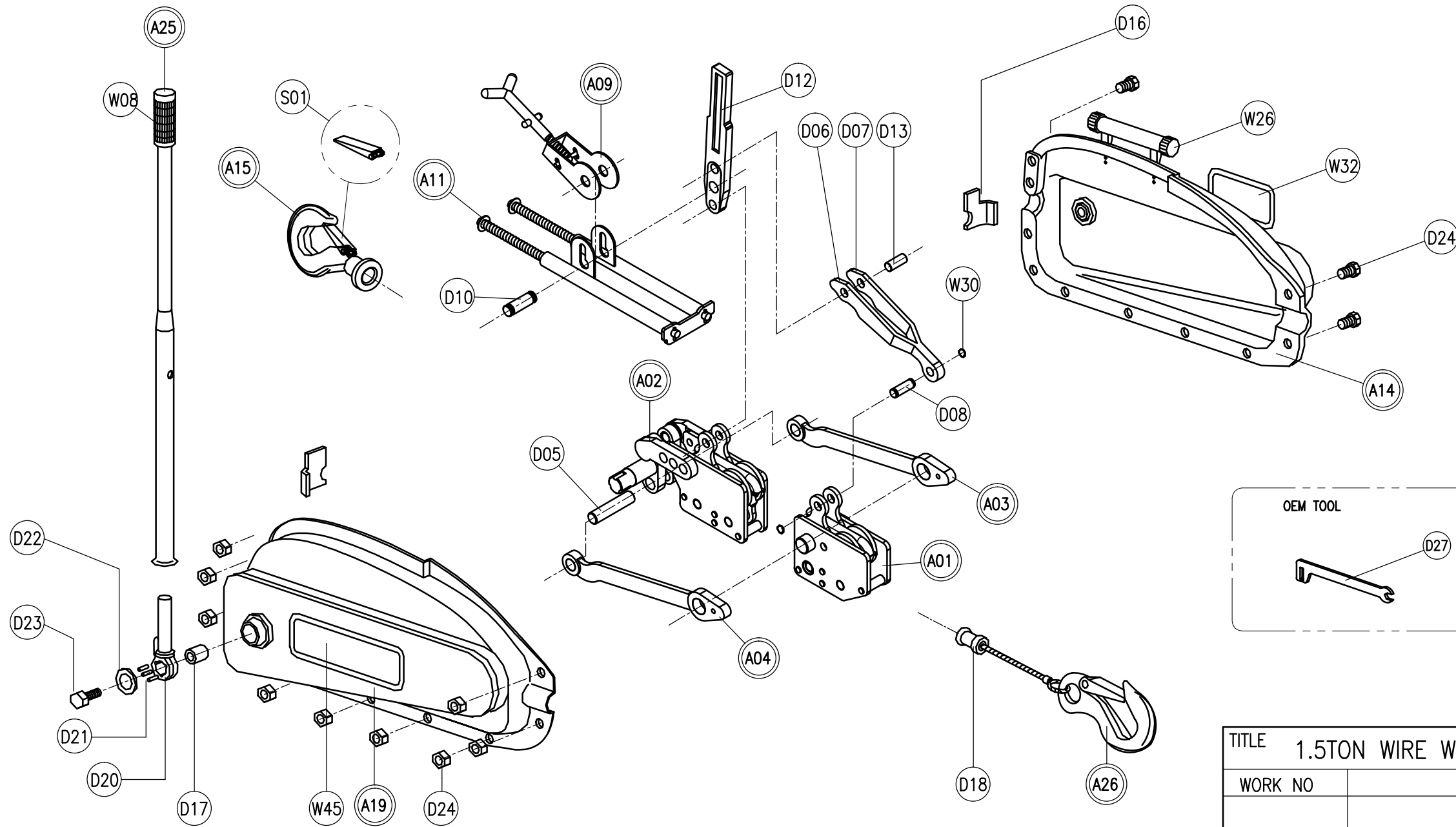


NO	DESCRIPTION	Q'TY	REMARK	NO	DESCRIPTION	Q'TY	REMARK	NO	DESCRIPTION	Q'TY	REMARK
A01	REAR ASS'Y	1		D12	BACK LEVER	1		D22	WASHER	1	
A02	FRONT ASS'Y	1		D13	FLAT PIN	2		D23	BOLT	1	M8x15
A03	RH SIDE LINK ASS'Y	1		A14	RH COVER ASS'Y	1		D24	BOLT-NUT	11	M8x15
A04	LH SDIE LINK ASS'Y	1		A15	TOP HOOK ASS'Y	1		A25	HANDLE ASS'Y	1	
D05	FORWARD BLOCK PIN	1		S01	SAFETY LATCH SET	1		A26	WIRE SET	1	
D06	RH BENDING LINK	1		D16	HOOK WASHER	2		D27	SPANNER	1	
D07	LH BENDING LINK	1		D17	DU-BEARING	2	DU2520	W08	RUBBER GRIP	1	
D08	LINK PIN	1		D18	WIRE GUIDE	1		W26	PLUG FOR CARRYING HANDLE	2	
A09	RELEASE LEVER SET	1		A19	LH COVER ASS'Y	1		W30	SNAP RING	2	S-12
D10	HORMS PIN	1		D20	FORWARD LEVER	1		W32	NAME PLATE B	1	
A11	SUSPENSION SET	1		D21	PIN	3		W45	NAME PLATE A	1	



TITLE				PROJECTION	
1.5TON WIRE WINCH					
WORK NO		WORK NAME		SCALE	Q'TY
				N S	1
DRAWN	CHECKED	REVIEWED	APPROVED	DRAWING NO	
J.D	-	LEE. H.J	Y. K	DSW015SE01	
2020.02.05	-	2020.02.05	2020.02.05		

DAESAN INoTEC INC